

Technical Data Sheet

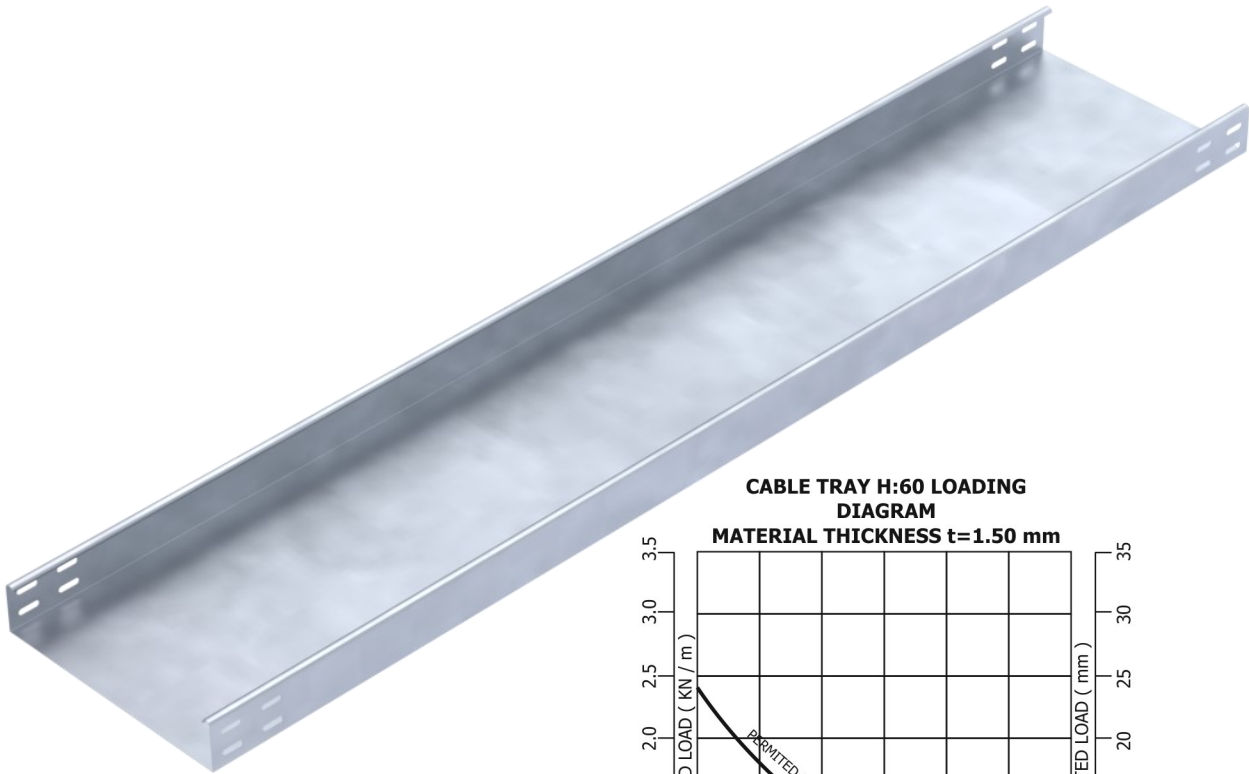
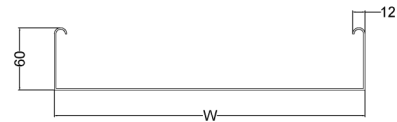
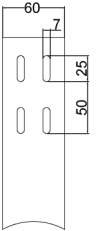
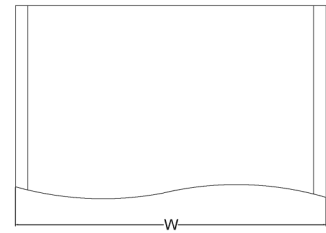
Heavy Duty Cable Trays / Unperforated

Hot Dip Galvanized According To EN ISO 1461



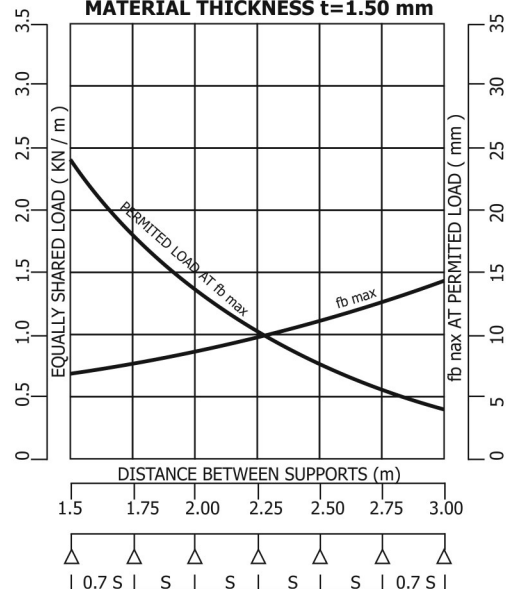
- ◆ **Producer** METALLODOMI SA
- ◆ **Description** Heavy Duty Cable Trays / Unperforated / Side Height H60
- ◆ **Material** Galvanized Steel According To EN ISO 1461
- ◆ **Length** 3000mm
- ◆ **Use** Outdoor / Wet Indoor Facilities

CODE	WIDTH (W) mm	HEIGHT(H) mm	THICKNESS mm
020U.050060150	050	60	1.50
020U.100060150	100	60	1.50
020U.150060150	150	60	1.50
020U.200060150	200	60	1.50
020U.300060150	300	60	1.50
020U.400060150	400	60	1.50
020U.500060150	500	60	1.50
020U.600060150	600	60	1.50



CABLE TRAY H:60 LOADING DIAGRAM

MATERIAL THICKNESS t=1.50 mm



ISO 9001:2015